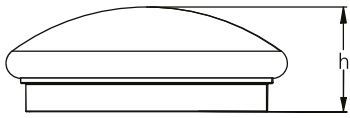
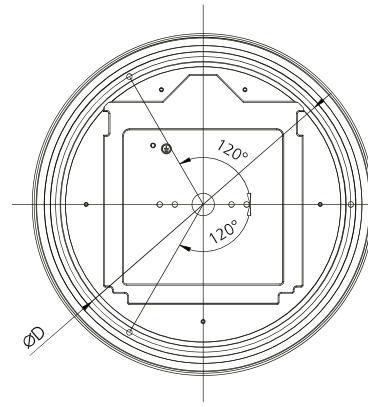


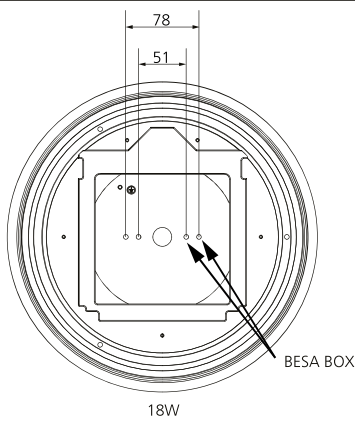
d = 330mm 18W
d = 360mm 24W



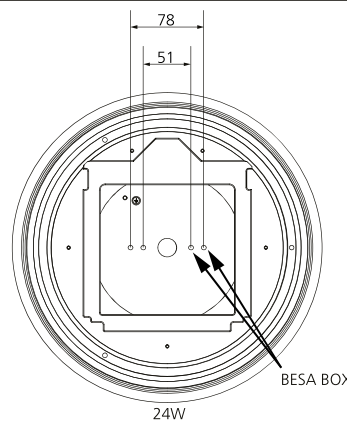
h = 96mm 18W
h = 100mm 24W



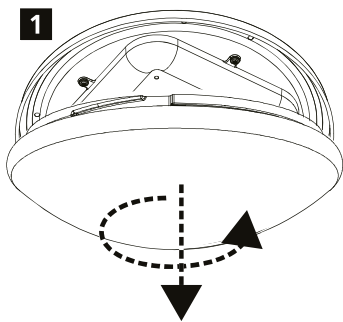
D = 265 mm 18W
D = 265 mm 24W



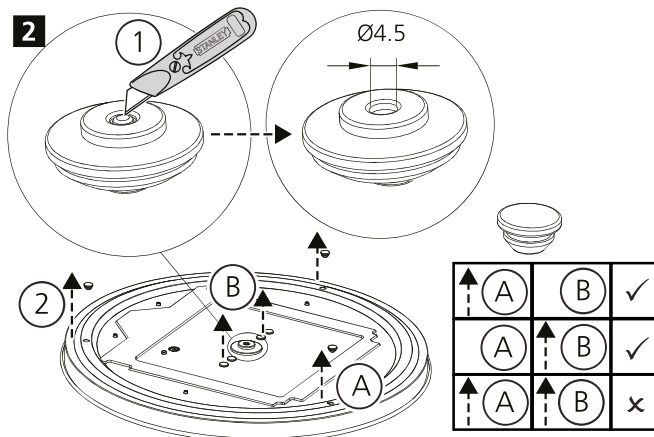
18W



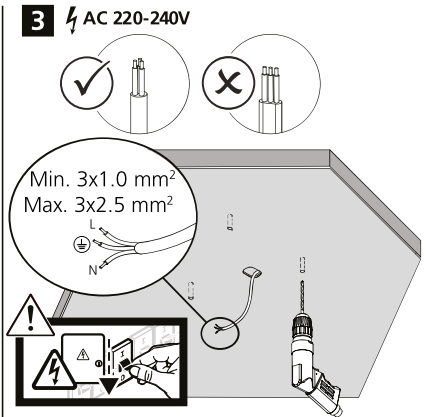
24W



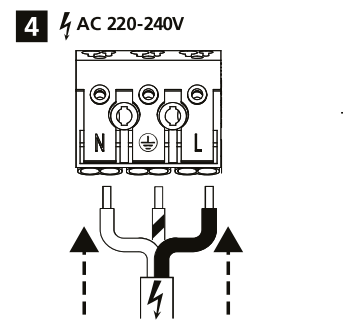
1



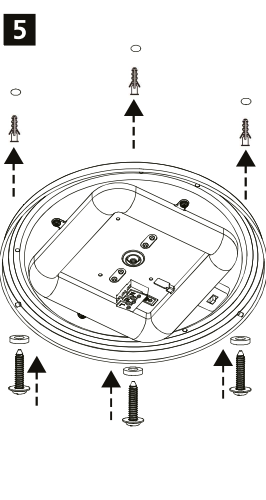
2



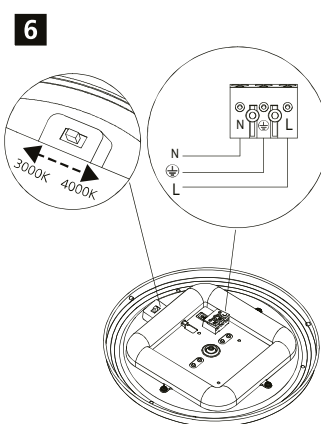
3 AC 220-240V



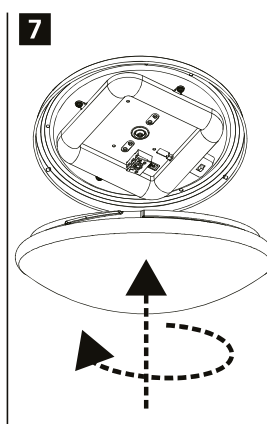
4 AC 220-240V



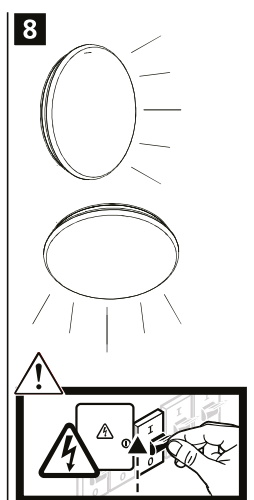
5



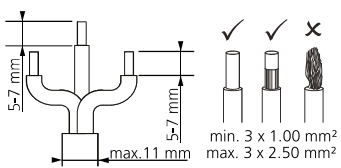
6



7



8



min. 3 x 1.00 mm²
max. 3 x 2.50 mm²

	18W (pcs)	24W (pcs)
10A C-type	15	15
16A C-type	24	24

Sensitivity

Switch UP
Switch DOWN

1	2	3	4	5	6
---	---	---	---	---	---

5	6	
●	●	Disable
○	●	50lux
●	○	10lux
○	○	2lux

LUX

Daylight:

Night:

Detection range

Switch UP
Switch DOWN

1	2	
---	---	--

1	2	
●	●	100%
○	●	75%
●	○	50%
○	○	10%

SENS

1-6 m, 360°

1-8 m, 150°

Delay

Switch UP
Switch DOWN

1	2	3	4	5	6
---	---	---	---	---	---

3	4	
●	●	5s
○	●	90s
●	○	5min
○	○	15min

TIME

5s/90s/5min/15min

Installation height

2-6 m

1.8-3 m

Initial state:
CCT: 3000K
Detection area: 100%
Hold time: 90s
Daylight: 2lux